

PH90 SP
PH90 M

+ products

- + **Made in France**
- + **Concealed device**
- + **Width 36 mm**

1 YEAR GUARANTEE

CONCEALED DOOR CLOSER

NON HANDED FOR DOOR DIN-L AND DIN-R:

Product overall dimensions:

- 36 mm wide.
- Max door weight 80 kg.
- Door width 1100 mm max.

“Mounting in door leaf or in door frame” for both outside and inside doors.

ISEO[®]

TECHNICAL SPECIFICATIONS:

General features:

- Force: EN3 or EN4.
- Valve PV : Soft end closing (120° - 0°)
- Valve GV : Additional closing speed (120°-15°)
- Opening angle: 120° max.
- Safety valve: included.
- Arm: sliding arm.
- Mounting: built-in.
- Dimensions: 321 x 36 x 70 mm.

Special features:

- Concealed device.
- Width 36 mm.
- Non handed in the door frame or in the door leaf.
- Operational safety and comfort from -15°C to + 40°C.

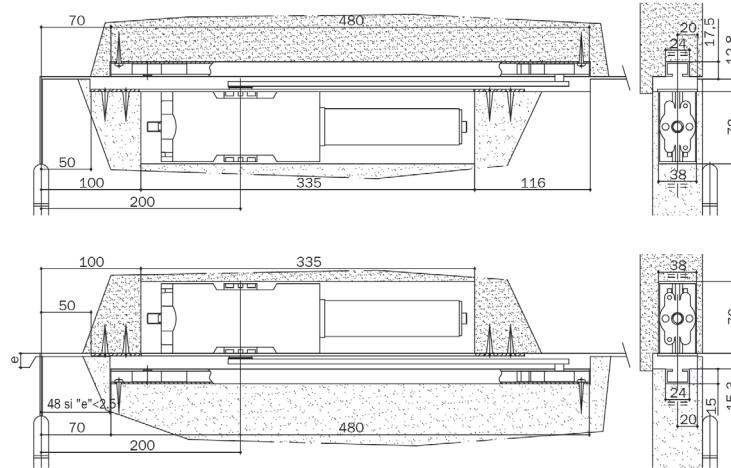
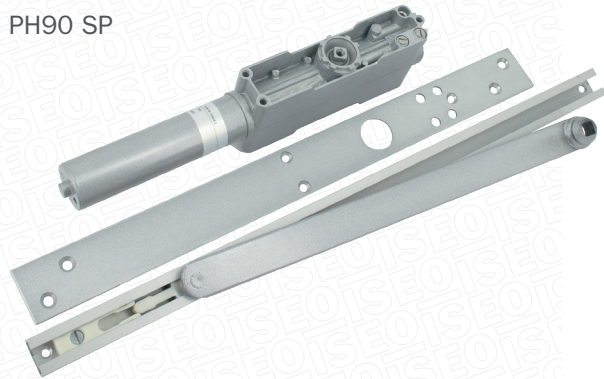
Field of application:

- For single action doors.
- Non handed, DIN-R or DIN-L, installation on the door leaf or door frame.
- Main functions adjustable by valves.
- Max door leaf width 1100 mm.
- Especially recommended for wooden door with the PH90 SP and for metal profiles doors with the PH90 M.
- Ideal for front door.

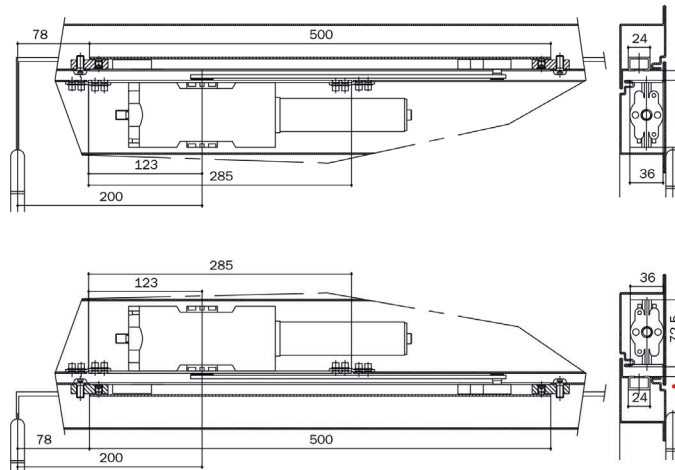
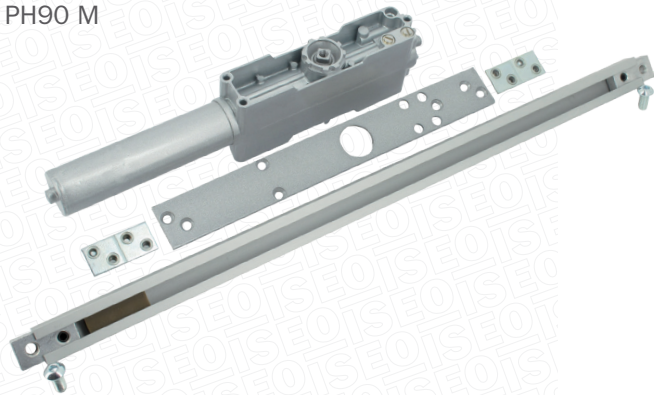
PH90 SP

PH90 M

PH90 SP



PH90 M



1°

- **Name:** PH90 SP EN3
- **Gencode:** 3 29512302379 2
- **Reference:** 392008
- **Weight:** 3000 g.

2°

- **Name:** PH90 SP EN4
- **Gencode:** 3 29512302373 0
- **Reference:** 392029
- **Weight:** 3000 g.

3° (Without Arm)

- **Name:** PH90 M EN3
- **Gencode:** 3 29512302408 9
- **Reference:** 392017
- **Weight:** 2630 g.

4° (Without Arm)

- **Name:** PH90 M EN4
- **Gencode:** 3 29512302404 1
- **Reference:** 392028
- **Weight:** 2710 g.

5°

- **Name:** Arm B2 (A=10.5mm)
- **Gencode:** 3 29512302406 5
- **Reference:** 392019
- **Weight:** 310 g.

6°

- **Name:** Arm B3 (A=12mm)
- **Gencode:** 3 29512302375 4
- **Reference:** 392020
- **Weight:** 325 g.